



CERTI-SEAL

Coax Service Wire Closures

The CERTI-SEAL coax coupling closure is designed for direct buried splicing of Series 59, 6, 7 and 11 coaxial cables.

Advantages:

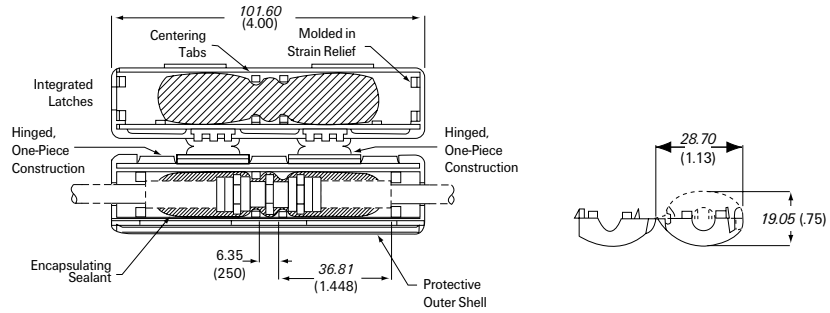
- Economical — Permits quick, low cost repair of damaged cable
- Reliable — Gel-filled construction seals out environment, withstands 14 days immersion without signal degradation; withstands extreme temperatures
- Easy to Install — One-piece housing snaps on over coax connection; no special tools required for installation or repair
- Flexible — Accommodates a variety of cables, including series 59 through 11, coaxial cables, long-body F-81 and sealed connectors

Applications:

- Splice Protection
- Demarcation points

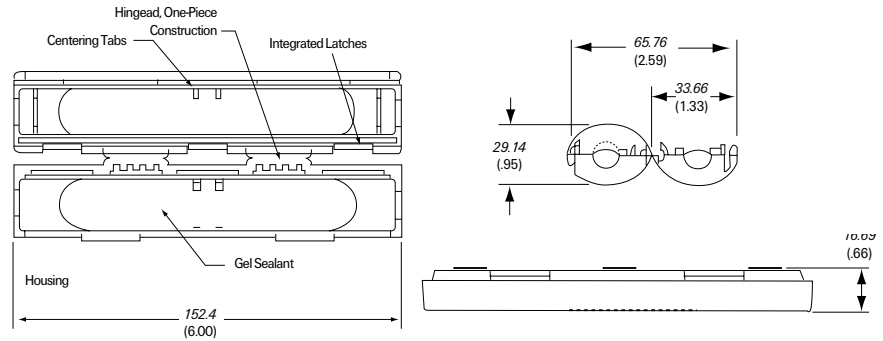
For direct buried or aerial* splices using Series 59 and 6 coaxial cable connectors.

Part Number: 608082 (AMP-0-0569224-1)



For direct buried or aerial* splicing of Series 7 and 11 coaxial cables, long body F-81 and sealed connectors.

Part Number: 230186 (AMP-0-0569661-1)



*RUS Listed

Technical Documents

To order any of these documents, call our 24-hour fax-on-demand line at 1-800-522-6752.

Specifications

AMP Product Specification 108-1509

Meets immersion requirements of Telcordia TR-NWT-000975

Compression testing per Bell PUB 55004, Section 5.42.A

Instruction Sheet

IS-408-3357, IS-408-3330