

tyco

Electronics

Raychem

AIR FOSC

Aerial Fiber Optic Splice Closure

Raychem's AIR FOSC aerial in-line re-enterable fiber optic splice closure is designed for strand-mounted Fiber-In-The-Loop (FITL) applications.

The closure combines Raychem GelGuard sealing technology and FOSC 400 fiber management systems in a strong, rodent-proof outer body.

AIR FOSC closures and organizers are compatible with all loose buffer tube and central core tube cables with either stranded or ribbon fiber.



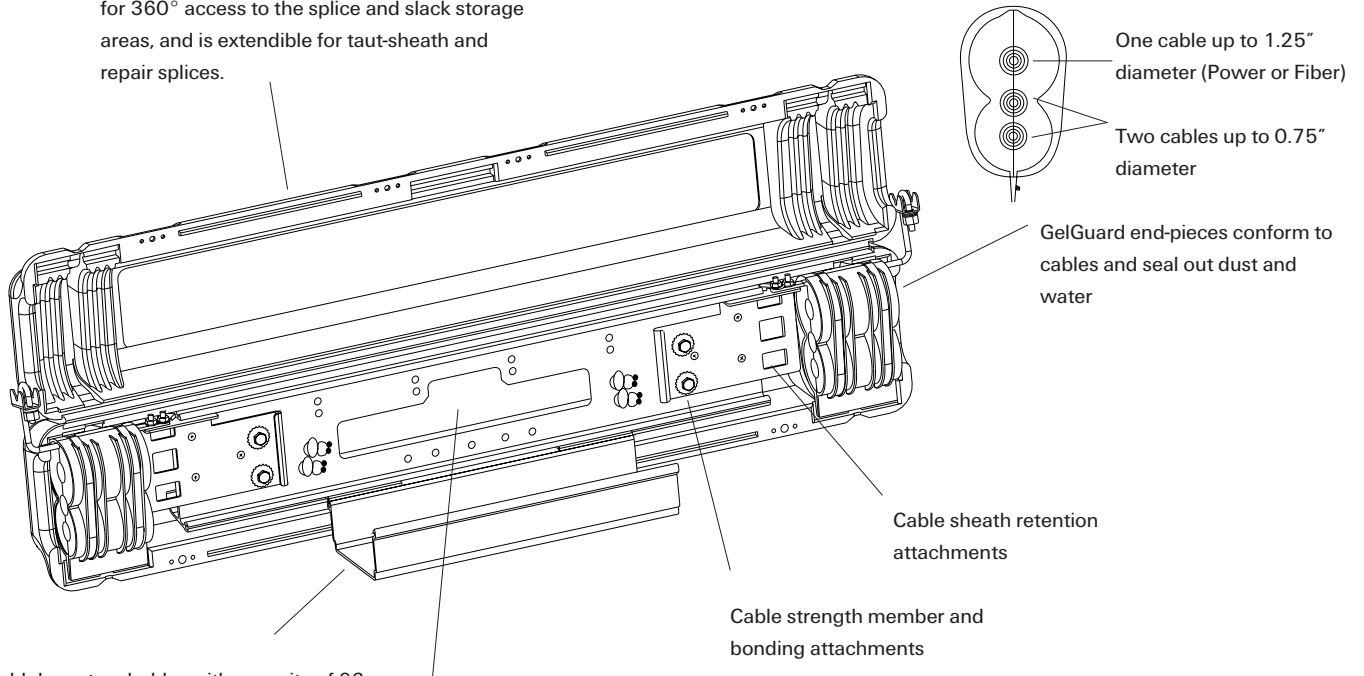
AIR FOSC

AIR FOSC

Aerial Fiber Optic Splice Closure

Product Features

Closure body is rodent-proof and withstands heavy impact forces. It is also fully removable for 360° access to the splice and slack storage areas, and is extendible for taut-sheath and repair splices.



Fold-down tray holder with capacity of 96 single or 576 mass-fusion splices on four organizer trays

"Pass-thru" to storage area uncut fibers and buffer tubes

Ordering Selection Guide

Closure Kits

AIR FOSC B	Complete closure kit with one organizer tray. (SM6 splice modules)
------------	--

Tray Kits

FOSC ACC B Tray 12	Splice tray with two SM6 splice modules and cover.
FOSC ACC B Tray 16	Splice tray with two SM8 splice modules and cover.
FOSC ACC B Tray 24	Splice tray with two SM12 splice modules and cover.

Other Kits

AIR FOSC B Extension	Components to extend closure for long repair splices.
AIR FOSC Taut Sheath	Components for taut sheath (no slack) splicing.

Raychem

Telecom OSP Division
8000 Purfoy Road
Fuquay-Varina, NC 27526-9349
Tel: 919 557-8900
Fax: 919 557-8498
www.tycoelectronics.com

Raychem, FOSC 400, GelGuard and AIR FOSC are trademarks of Tyco Electronics Corporation.

Important: All information, including illustrations, is believed to be reliable. Users, however, should independently evaluate the suitability of each product for their application. Tyco Electronics Corporation makes no warranties as to the accuracy or completeness of the information, and disclaims any liability regarding its use. Tyco Electronics only obligations are those in the Tyco Electronics Standard Terms and Conditions of Sale for this product, and in no case will Tyco Electronics or its distributors be liable for any incidental, indirect, or consequential damages arising from the sale, resale, use, or misuse of the product. Specifications are subject to change without notice. In addition, Tyco Electronics reserves the right to make changes—without notification to Buyer—to processing or materials that do not affect compliance with any applicable specification.