

**Factory Installed Termination System for
Fiber Optic Cable Splices**

The FITS FOSC closure is a factory installed termination system for splicing up to four fiber drop cables to a fiber distribution cable. The FITS FOSC taut-sheath, in-line closure facilitates "preterminated plant" where all fiber splicing and closure installations are done in a controlled factory environment. Labor and equipment costs are reduced, quality is improved, and the entire system can be tested before it goes to the field. The cost of deploying fiber in the local loop can be significantly reduced.

FITS FOSC closures are designed to work with central core tube cable and stranded fiber. Installed closures can be shipped to the field on 30" reels and pulled through two-inch bores with up to 600 pounds of force.

Closure sealing and cable strain relief are achieved with an outer body of heat-shrink material. The encapsulant used in buried copper closures is replaced with a cable core blocking system that will withstand a 20-foot water head. FITS FOSC closures meet the same environmental and mechanical performance specifications as Raychem's time-proven XAGA 1650 closures.

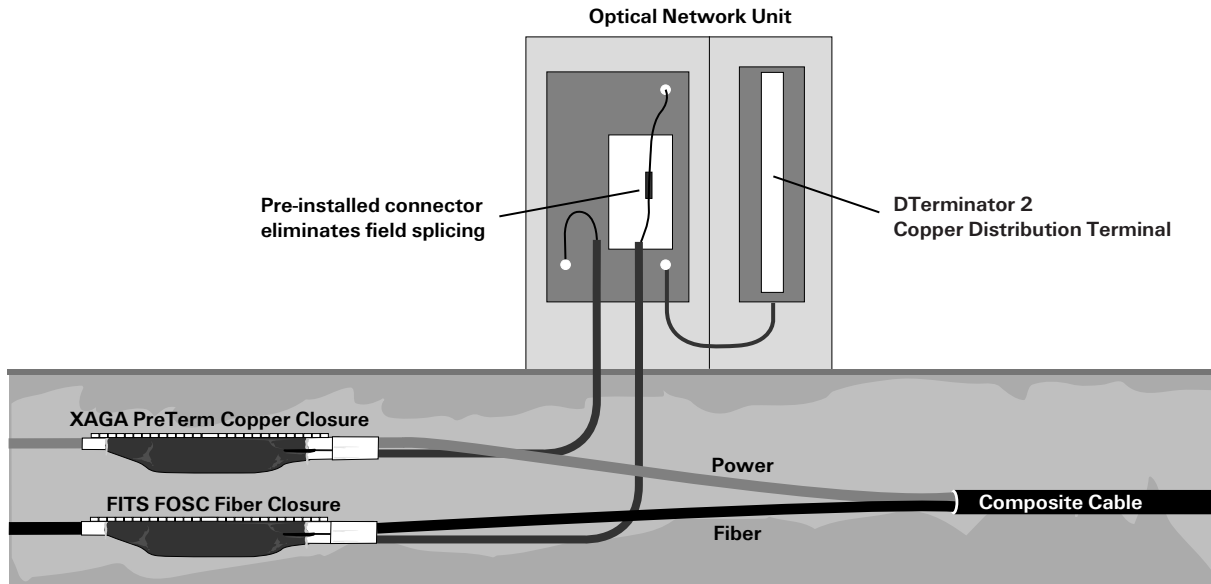


FITS FOSC

FITS FOOSC

Factory Installed Termination System for Fiber Optic Cable Splices

Typical FITS FOOSC closure installation



Ordering Information

Closure Kits

FITS FOOSC 6-8 mm

FITS FOOSC 6-8 mm Bulk

Kit Description

Complete closure kit for cable with central core tube diameter of 6 mm to 8 mm.

Above closure in bulk package (components for 25 closures).

Raychem and FITS FOOSC are trademarks of Tyco Electronics Corporation.

8000 Purfoy Road
Fuquay-Varina, NC 27526-9349
Tel: 919 557-8900
Fax: 919 557-8498
www.tycoelectronics.com

Important: All information, including illustrations, is believed to be reliable. Users, however, should independently evaluate the suitability of each product for their application. Tyco Electronics Corporation makes no warranties as to the accuracy or completeness of the information, and disclaims any liability regarding its use. Tyco Electronics only obligations are those in the Tyco Electronics Standard Terms and Conditions of Sale for this product, and in no case will Tyco Electronics or its distributors be liable for any incidental, indirect, or consequential damages arising from the sale, resale, use, or misuse of the product. Specifications are subject to change without notice. In addition, Tyco Electronics reserves the right to make changes—without notification to Buyer—to processing or materials that do not affect compliance with any applicable specification.