

FOSC 400 FR

Flame Retardant Fiber Optic Splice Closures

TELECOM OUTSIDE PLANT

FOSC 400 FR fire resistant, fiber optic splice closures are made with a flame retardant material and can be used for splices in cable vaults and buildings.

All FOSC 400 closures have an easy-to-use mechanical clamping system for the dome-to-base seal. Cable ports are sealed with heatshrink tubing installed with a hot-air gun. One size of cable seal can be used on any size or type of cable, in any round port and on any closure. New cables can be installed without disturbing existing cables or splices.

FOSC 400 closures are truly versatile and reliable platforms for any fiber optic cable terminations – outside and inside.

Features:

- Fire resistant
- Butt splice closure
- Heat-shrink technology
- Hinge trays
- Superior fiber management



FOSC 400 FR

FOSC 400 FR

Flame Retardant Fiber Optic Splice Closures

Ordering Information

FOSC 400-aa/FR-bb-c-NdV

Complete closure including all components to terminate and seal two cable ends in oval port.

aa: Size of FR closure: Options - B4 or D5

bb: Capacity of each splice tray:

B4 closure options are 12, 16 or 24

D5 closure options are 36, 48 or 72.

"NT" indicates no trays

c: Number of trays pre-installed in closure. Standard options are 0 or 1.

N: Cable blocking is Not available with these closures.

d: Is external grounding required? (G = ground lug(s) provided, N = none)

V: Valve for flash testing included with all FR closures.

Other Accessories

Cable Seals

FOSC-ACC-Cable-Seal-1-ab

Cable seal for any round port on any FOSC 400 closure.

a: Is cable blocking required? (B = blocking, N = none)

b: T = tubular sleeve, W = wraparound sleeve.

Splice Trays

FOSC-ACC-a-Tray-bb

a: Closure size ("D" for D5 or "B" for B4)

bb: Capacity of each splice tray.

B4 closure options are 12, 16, or 24

D5 closures options are 36, 48 or 72

"NT" indicates no tray.

See FOSC closure Ordering Guide for further details on splice trays and modules.

Slack Storage Baskets

FOSC-ACC-B-Basket - Baskets are used to store slack ribbon or excess buffer tubes.

FOSC-ACC-D-Basket (occupies two tray spaces)

FOSC-ACC-D-Basket-Tall (occupies four tray spaces)

Tyco Electronics Corporation

Telecom Outside Plant

8000 Purfoy Road

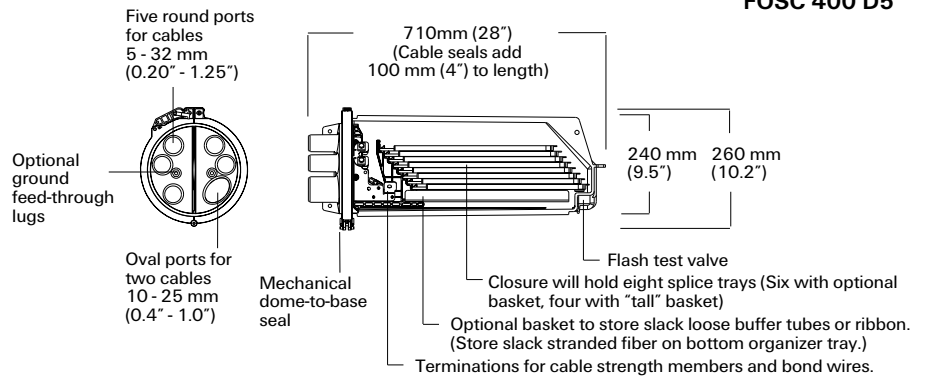
Fuquay-Varina, NC 27526-9349

Tel: 919 557-8900

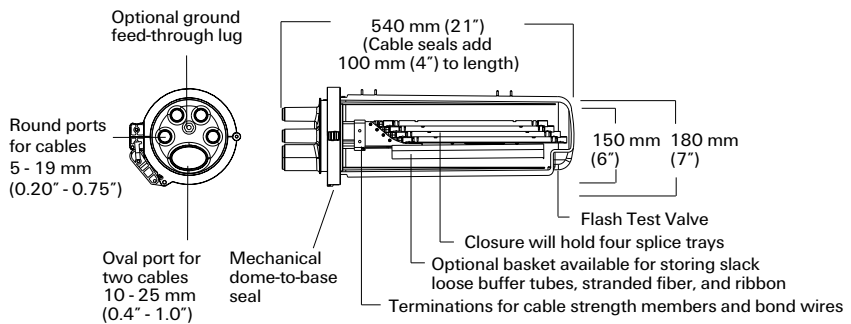
Fax: 919 557-8498

www.tycoelectronics.com

FOSC 400 D5



FOSC 400 B4



Closure Capabilities

Closure	Spliced Fiber Storage Capacity			Slack Storage Capacity		
	Single Fusion	Single Mechanical*	Mass Fusion	Buffer Tubes	Stranded Fibers	12 Fiber Ribbons
FOSC 400 D5	576	288	1728	18	96+	144**
FOSC 400 B4	96	48	288	8	96	24

*Varies with splice type. Capacity shown is for most commonly used mechanical splices.

** Use Tall Basket for 864 fiber cable and above.

FOSC 400 is a trademarks of Tyco Electronics Corporation.

Important: All information, including illustrations, is believed to be reliable. Users, however, should independently evaluate the suitability of each product for their application. Tyco Electronics Corporation makes no warranties as to the accuracy or completeness of the information, and disclaims any liability regarding its use. Tyco Electronics only obligations are those in the Tyco Electronics Standard Terms and Conditions of Sale for this product, and in no case will Tyco Electronics or its distributors be liable for any incidental, indirect, or consequential damages arising from the sale, resale, use, or misuse of the product. Specifications are subject to change without notice. In addition, Tyco Electronics reserves the right to make changes—without notification to Buyer—to processing or materials that do not affect compliance with any applicable specification.